

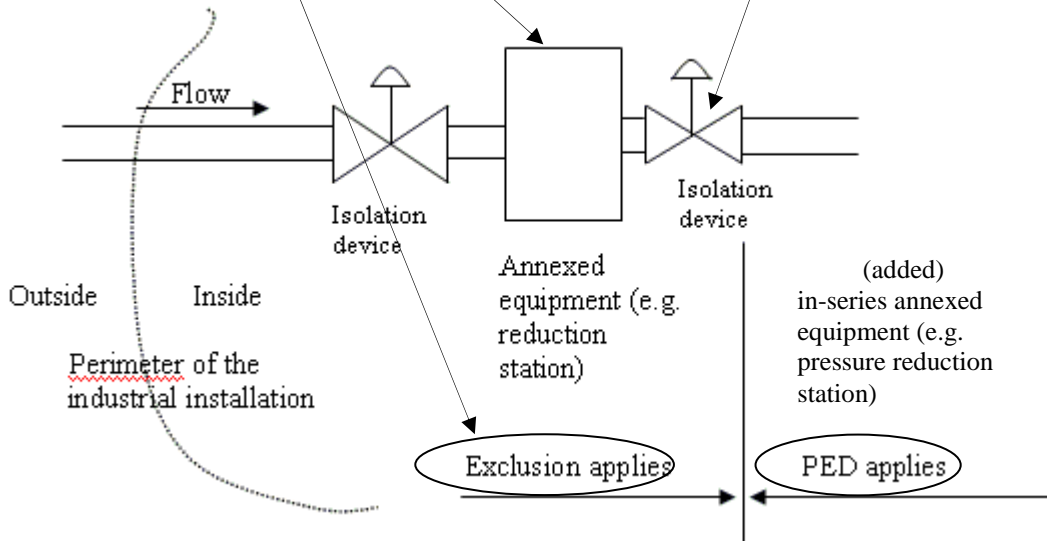
Object: revision of guideline 1/29

Considering that:

There are some discrepancies between the text and the diagram of the guideline 1/29 accepted by Working Group “pressure” on 28 June 2005 e.g.

- The text of answer a) is not coherent with the diagram, because the exclusion ends at the **outlet** isolation valve of the annexed equipment fed by the distribution / transmission pipeline (the diagram show two isolation valves inside the perimeter of industrial installation; which one is the “isolation device immediately inside the perimeter of the industrial installation?”)
- The indication is not coherent with the guideline 1/17, because the annexed equipment includes standard pressure equipment such as measuring devices, valves, pressure regulators, etc. that are in the scope of PED
- The scheme is not representative of all real industrial installations, because industrial installations may include:
 - a pressure reduction and a metering station (annexed equipment as per Guideline 1/28) feeding a final gas-user or
 - two in series pressure reduction stations (annexed equipment as per Guideline 1/28) with two separated outlets with different operating pressures feeding two different final gas-users or
 - other configurations depending on the type of final gas-users.

All annexed equipment, as “**whole functional unit**” are out from the scope of PED, but the standard pressure equipment included in them are in the scope of PED. These “**whole functional units**” are specifically designed considering the specific characteristics of the feeding pipeline system.



To avoid any misunderstanding it is suggested to amend the guideline as follows

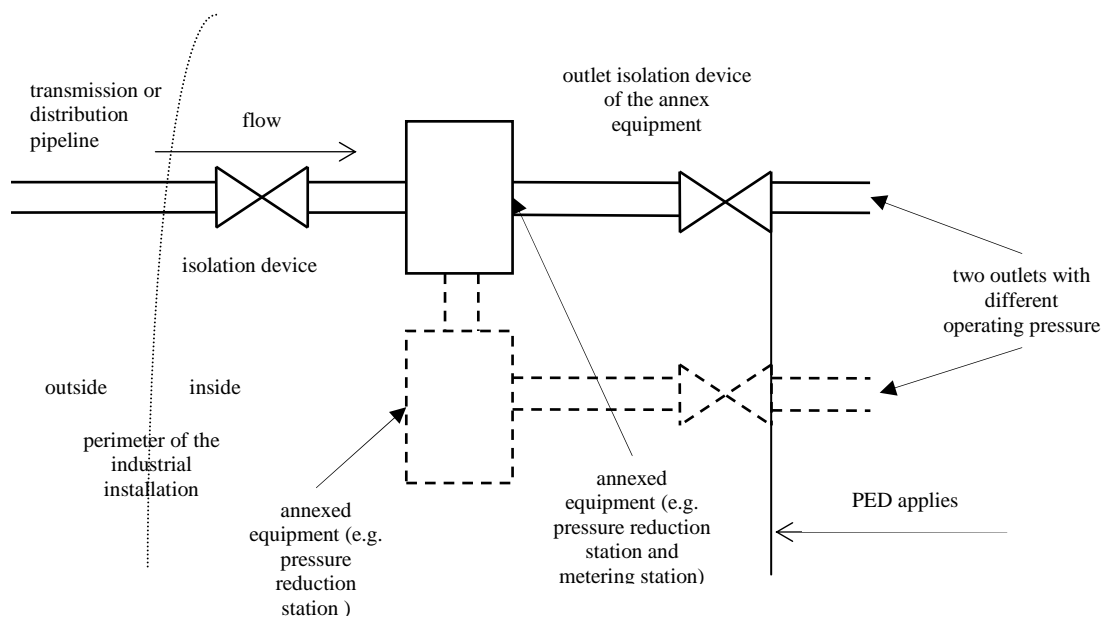
Guideline 1/29
Pressure equipment directive 97/23/EC
Commission's Working Group "Pressure"
Guideline related to: Article 1 Paragraph 3.1
Question:

Where does the exclusion under Article. 1, paragraph 3.1 end when a pipeline crosses the perimeter of an industrial installation?

Answer:

The exclusion of Article. 1, paragraph 3.1 ends at the outlet isolation device of the annexed equipment (e.g. pressure reduction station, metering station supplying gas to the industrial installation) fed by transmission or distribution pipeline.

For these annexed equipment shall be applied the guidelines 1/28 and 1/17



Note 1: the single or "in-series" compressor / reduction / metering stations (annexed equipment) upstream from the outlet isolation device detailed above are not covered by PED because of, as whole functional unit, they comply with both the Guideline 1/28 and Guideline 1/17

Note 2: the installation beyond the outlet isolation device detailed above is covered by PED; this includes any pressure equipment, any pipework between individual operating units or plants, or storage facilities

Accepted by WPG on:

Accepted by Working Group "pressure":